

Company: \_\_\_\_\_

Contact: \_\_\_\_\_

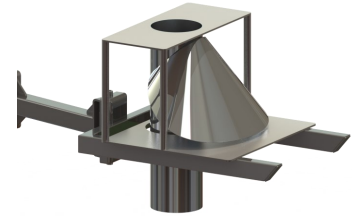
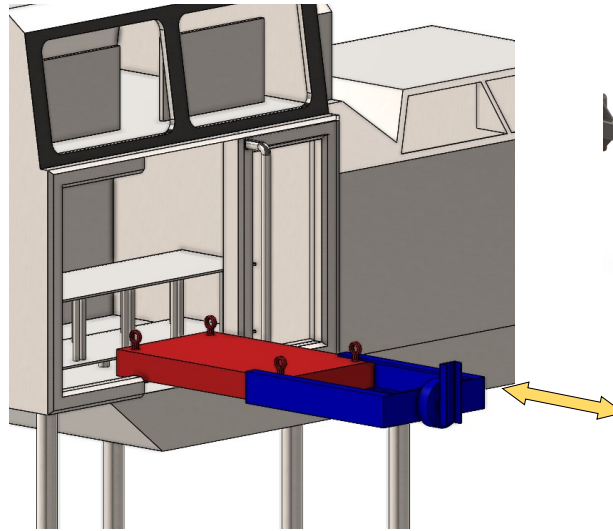
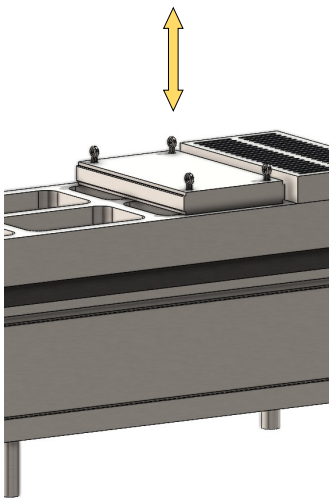
Project Ref \_\_\_\_\_

### Pick Up Data

Lift Out?

Slide out?

Form Fill Seal Lift?



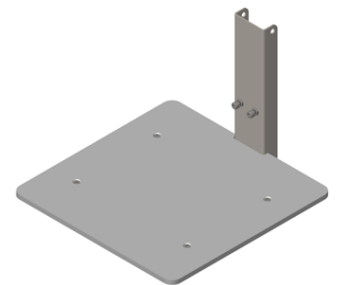
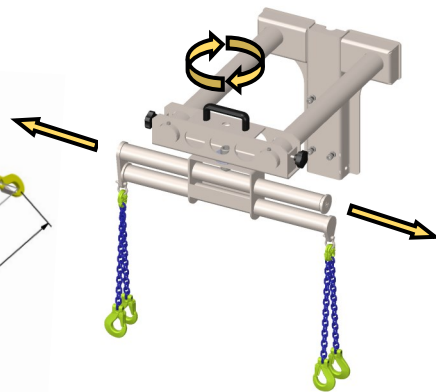
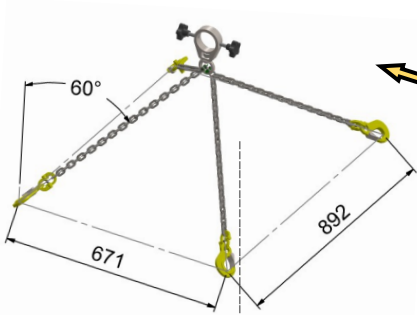
### Tool Type

Lift with 4 chains?

4 chains with adjustable width and rotation

Lift around sides?   
 Rotate?

Slide Out onto platform Or roller bed



### Tool size

Length \_\_\_\_\_

Height \_\_\_\_\_

Width \_\_\_\_\_

Weight \_\_\_\_\_

### Other

SS Chains and Hooks?

Steel Chains and Hooks?