

TORROS

Fakenham Industrial Estate, 1 Wymans Way, Fakenham NR21 8NT
 T: +44 (0)1328 862 700
 www.torros.net

Roll Handling RFQ

Company: _____

Contact: _____

Project Ref _____

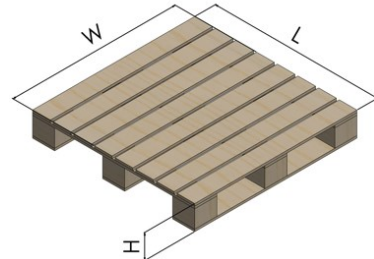
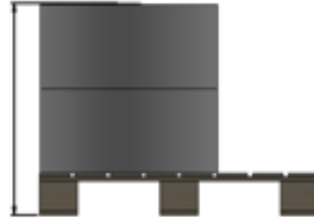
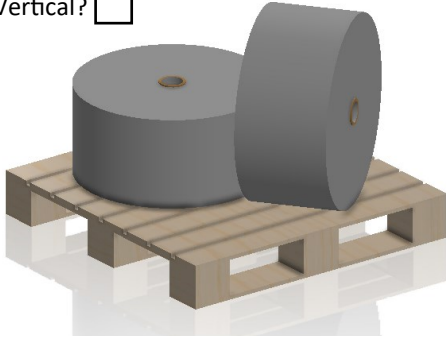
Pick Up Data

Core Vertical?

Core Horizontal?

Euro Pallet?

Closed Pallet on 4 sides?



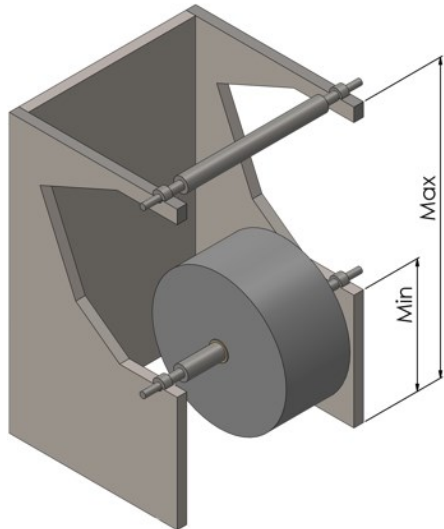
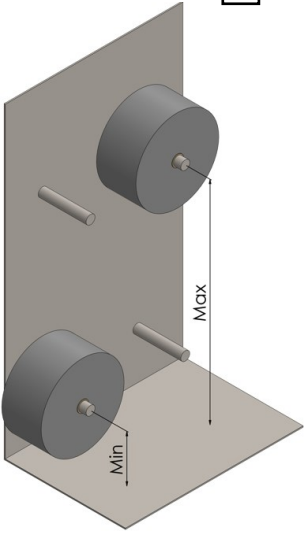
Pallet W _____ L _____ H _____

Unwind Data

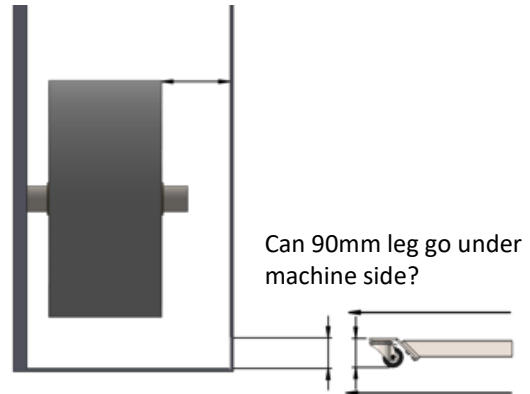
Min Lift _____ Max Lift _____

Cantilever Shaft?

Through Shaft?

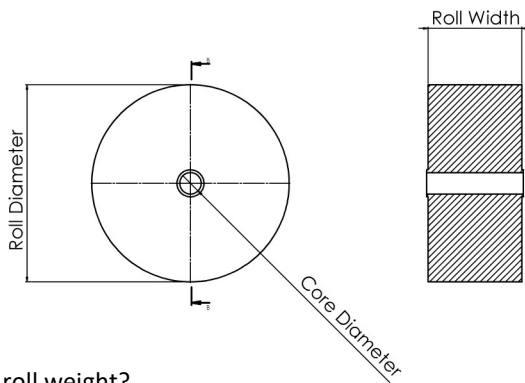


Is shaft sub-flush to machine side?



Can 90mm leg go under machine side?

Roll & Core Specifications



Max. roll weight?

Max. roll width? _____ Min. roll width? _____

Max. roll diameter? _____ Min. roll diameter? _____

Roll material? _____ Will roll telescope?

Core size(s)? _____ Core material?

Other info:

Steel?

Stainless?

Washdown?

Roll Grip

Roll Turning

Electric Driving

Preset Heights

Notes