

Company: \_\_\_\_\_

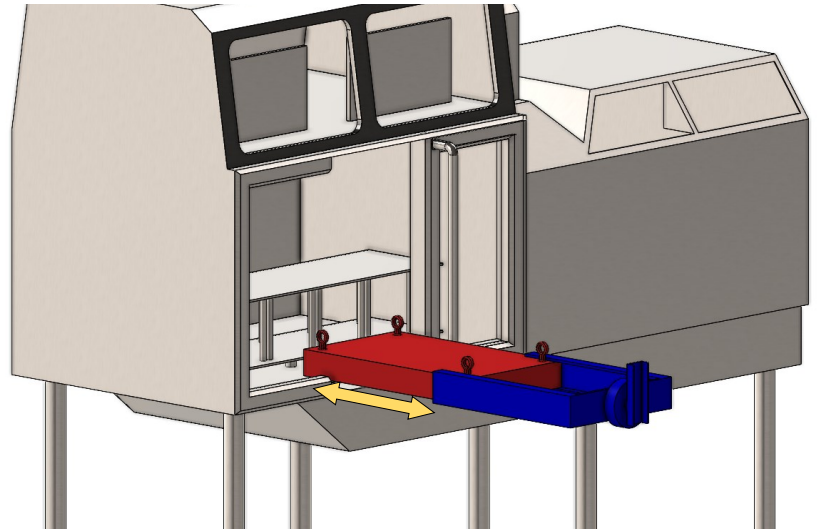
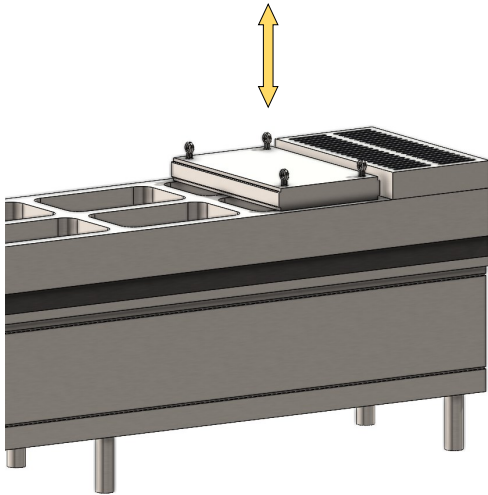
Contact: \_\_\_\_\_

Project Ref \_\_\_\_\_

### Pick Up Data

Lift Out?

Slide out?

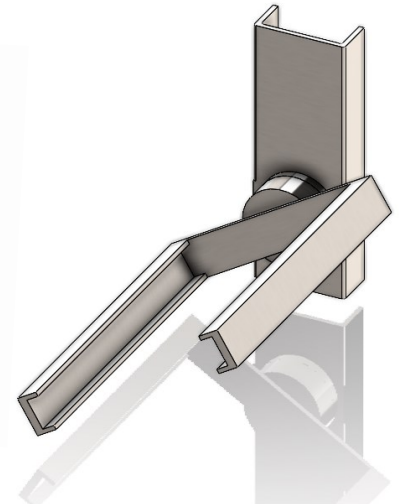
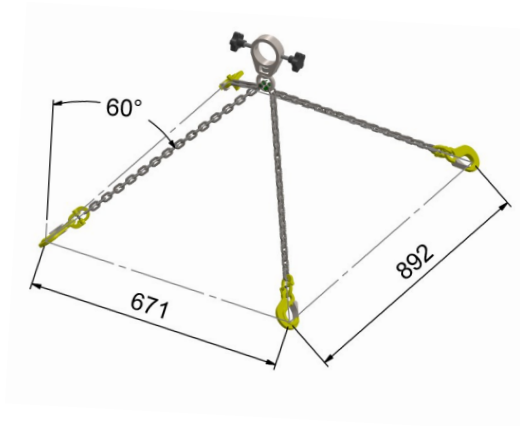
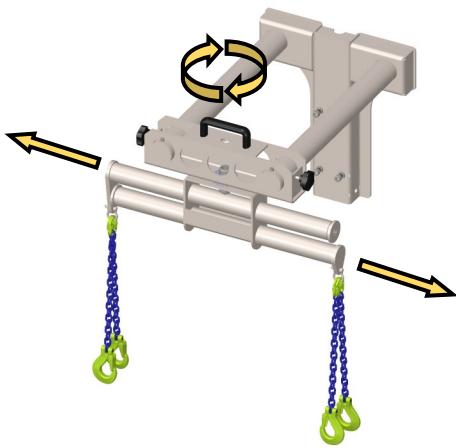


### Tool Type

Chains with extra movements?

Simple Chains?

Rotate?



### Tool size

Length \_\_\_\_\_

Height \_\_\_\_\_

Width \_\_\_\_\_

Weight \_\_\_\_\_

### Other

SS Chains and Hooks?

Steel Chains and Hooks?